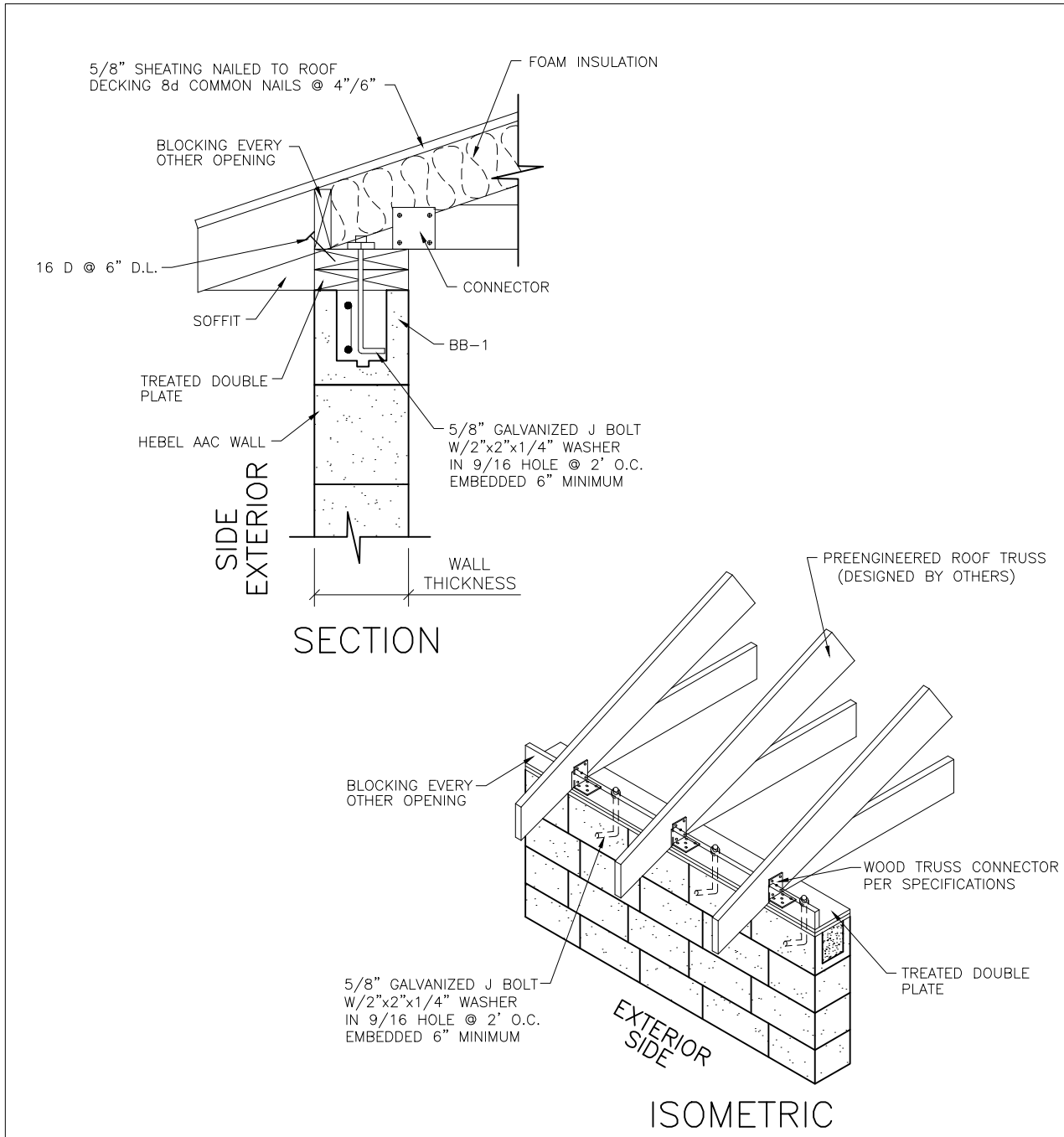


Roof Wood Truss Connection Detail Typ. to AAC Masonry Wall



NOTES

- 1.-NOT SCALE
- 2.-DIMENSIONS INCHES
- 3.-MASONRY THICKNESS AND DIMENSIONS OF REINFORCEMENT, ACCORDING TO STRUCTURAL DESIGN AND SHOP DRAWINGS