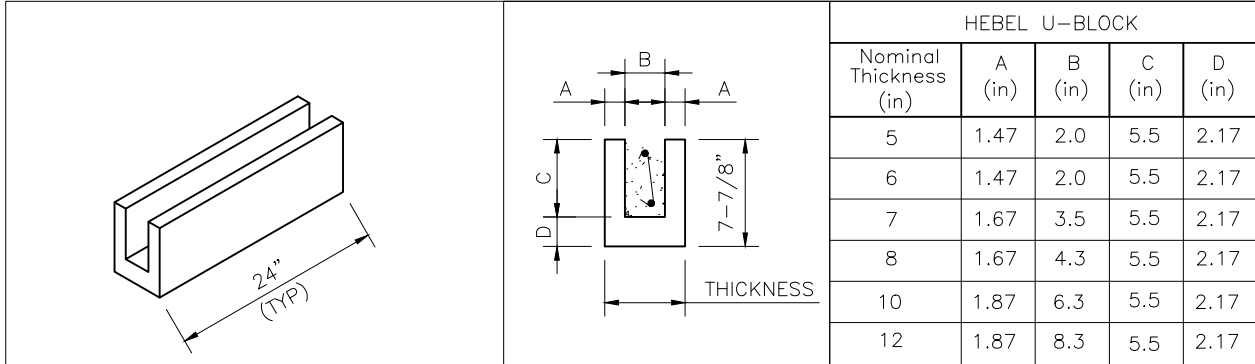
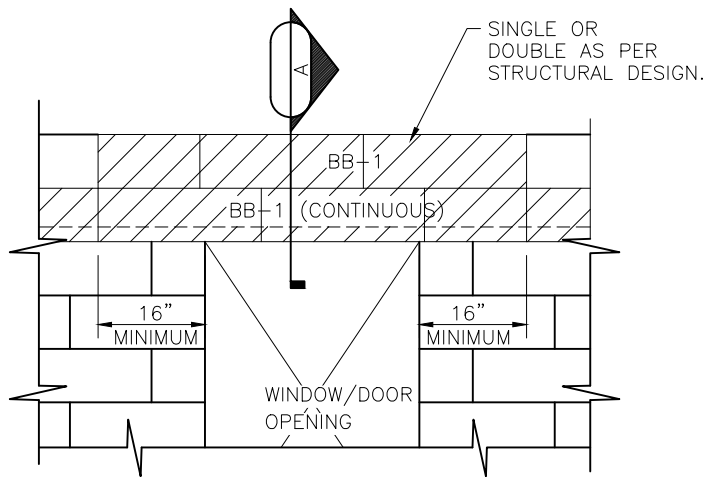


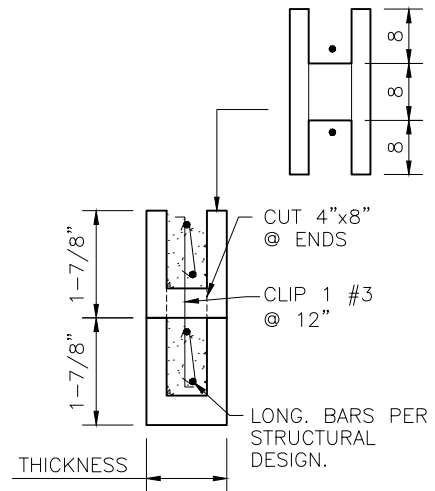
AAC BOND BEAM



ISOMETRIC VIEW



WALL ELEVATION



SECTION A

NOTES

- 1.-NOT TO SCALE
- 2.-DIMENSIONS IN INCHES
- 3.-MASONRY THICKNESS AND DISTRIBUTION REINFORCEMENT PER STRUCTURAL DESIGN.
- 4.-AAC BLOCKS ARE PRODUCED IN ACCORDANCE WITH ASTM C 1693