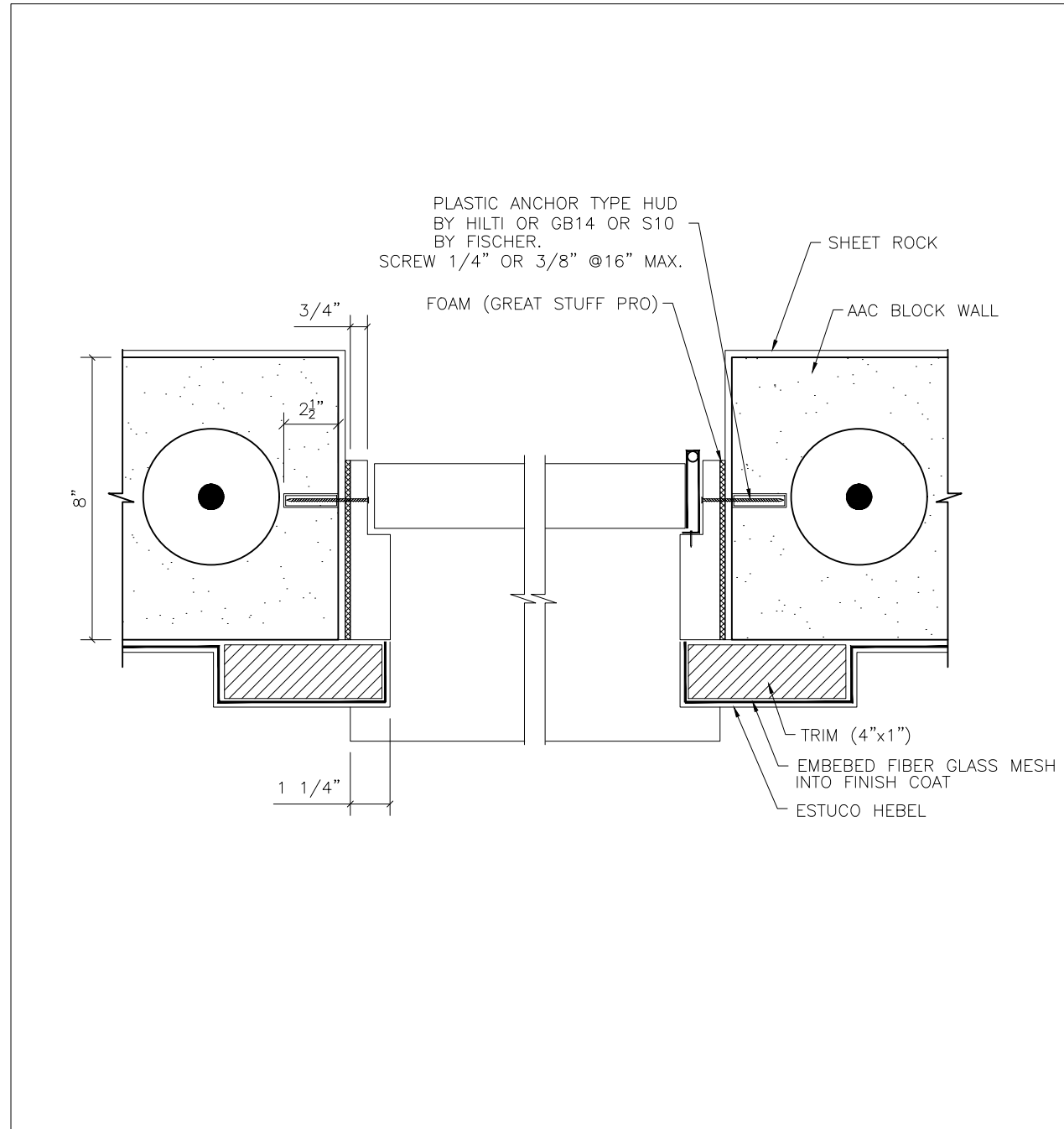


Main Door Frame Connection in Hebel AAC Wall



NOTES

- 1.-NOT SCALE
- 2.-DIMENSIONS INCHES
- 3.-THIS DETAIL CAN BE ADJUSTED IN ACCORDANCE TO WINDOW SIZE OR SPECIFIC WIND LOAD CONDITIONS.