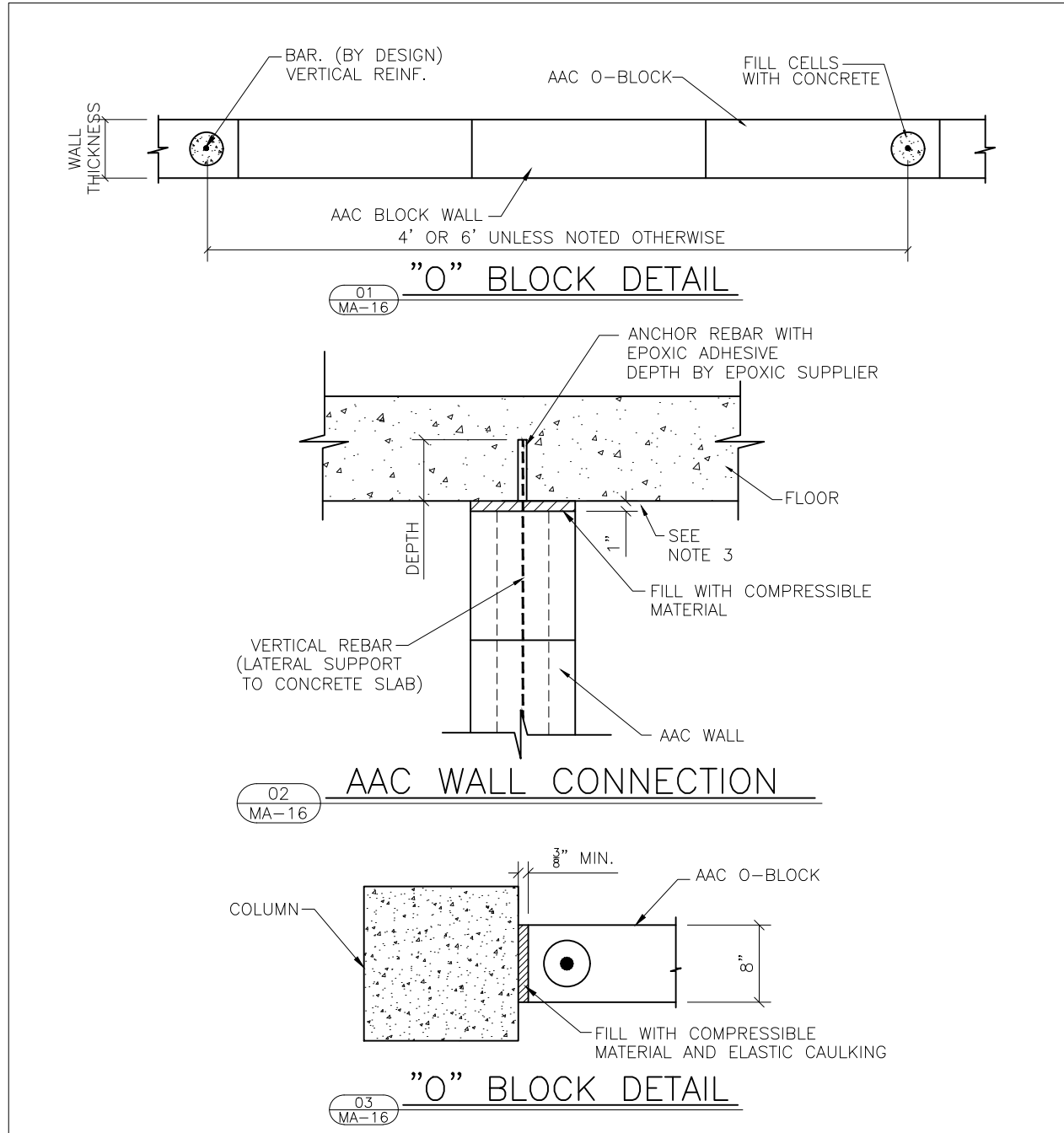


REINFORCEMENT AND LATERAL WALL CONNECTION



NOTES

- 1.-NOT SCALE
- 2.-DIMENSIONS FEET-INCHES
- 3.-OR ESTIMATE DEFLECTION OF THE SLAB SYSTEM (PROVIDED BY EOR).
- 4.-CONCRETE F'C=3000 PSI.
- 5.-SIZE AND SPACING VERTICAL REINFORCEMENT IN ACCORDANCE TO ST. DESIGN.